

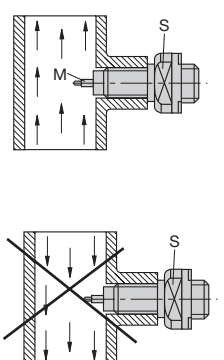
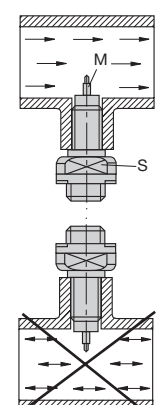
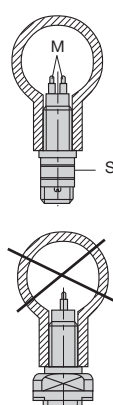
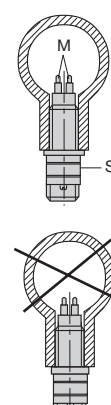
**Monitoring head installation for Mass Flow Monitors**

1

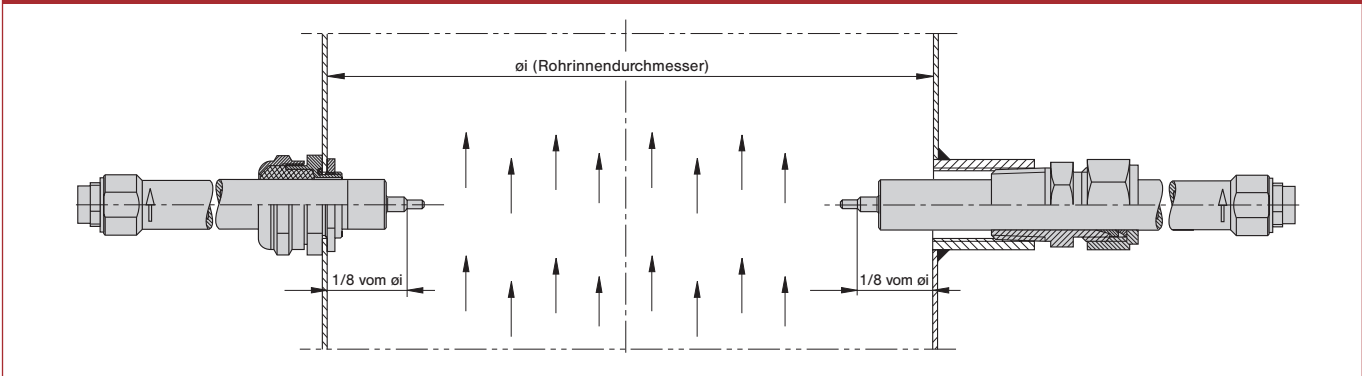
For best performance heads monitoring liquid media should be installed in the pipeline in accordance with the following conditions:

- In the case of vertical pipelines the monitoring head should be installed where the flow is rising, if possible.
- For horizontal pipelines the monitoring head should be mounted on the underside of the line (suspended).
- The monitoring head should be installed only in a straight section of piping. There should be a distance of at least 10 pipe diameters before the monitoring head and 5 pipe diameters after the monitoring head before or after any bends and changes in pipe diameter, to avoid the effects of any turbulence conditions that they may cause.

- Avoid installing either the monitoring head or control unit in known areas of high electrical inductance, capacitance, or high-frequency electromagnetic fields.
- The surface of the shaft end must not be recessed below the inner pipe wall. Preferably the shaft surface of the CST monitoring head should project approx. 1-2 mm towards the pipe centre.
- If the medium to be monitored is a gas, the mounting attitude of the monitoring head in either vertical or horizontal pipelines is unimportant.
- The flow direction to be observed with Flow Monitors with integral monitoring head (SFW120-E, SLW120-E, SW201-MK EF...) is marked on the housing.

<p>Vertical pipelines: Medium should be rising.</p> 	<p>Horizontal pipelines: Monitoring head should be mounted on the underside.</p> 	<p>The two sensors must be side by side across the direction of flow.</p> 	<p>The surface of the shaft end should project into the inner pipe wall (approx. 1-2 mm/.039-.079 in.).</p> 
--	---	--	--

**Messkopf CSF-... variable Eintauchtiefe**



**Installation distances (examples)**

