

Description

Coupling relay module for Flow Monitor FS10/FS20/FS30 with connectors to FS10/FS20/FS30 and to I&C. Provides a relay output for FS10/FS20/FS30.

Features

- Connections with included Harting connectors
- Wire break detection possible with resistor at relay

Ordering information

Flow Monitor

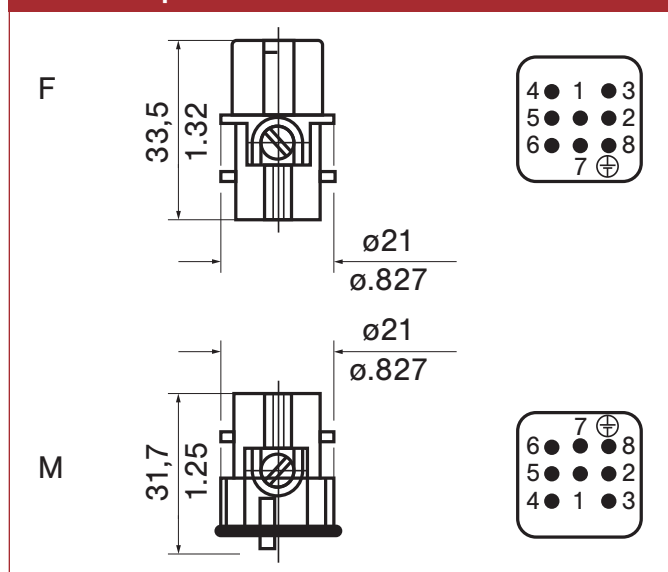
REAW-FS-U1 Coupling relay module to FS10/FS20/FS30

REAW-FS-U1 ordering example

TECHNICAL DATA

General data		REAW-FS-U1
Temperature range (ambience)		-25 ... +60°C/-13 ... +140°F
Electrical data		
Operating voltage U_B		DC24V (18 ... 32V)
Power consumption		approx. 17mA (relay energized)
Input resistance		ca. 1400 Ohm
Relay outputs		1 SPDT contact, gilded, AC/DC 30V, 5A
Mechanical data		
Degree of protection		IP 65 (when plugged in)
Materials	housing	aluminium
	cover	aluminium
	connector	die cast, zinc alloy
	gland	brass, nickel plated

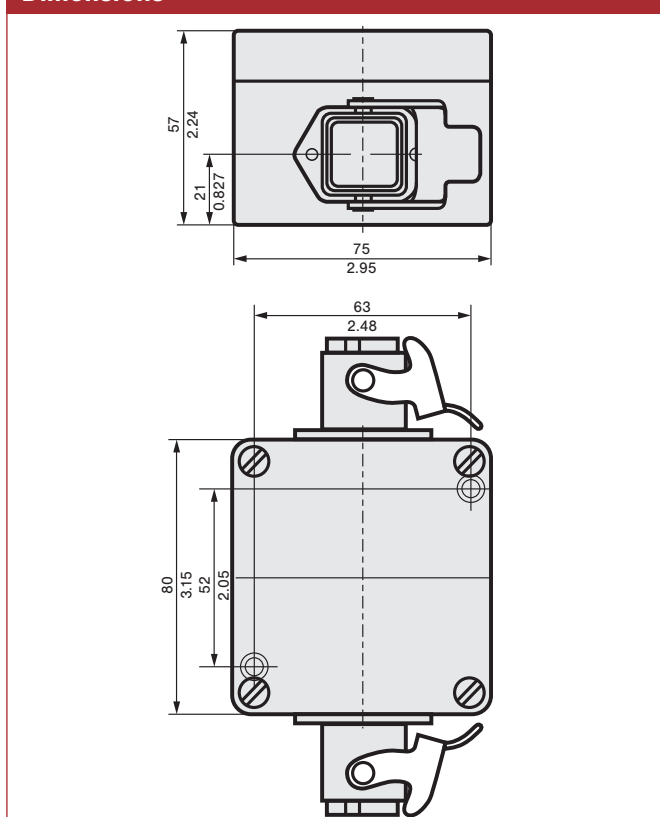
Connector pins



This is a metric design and millimeter dimensions take precedence ($\frac{mm}{inch}$)



Dimensions



Connection diagram

